

1. Insert the (4) #4-40 screws into the lock flange.
2. Slide clear plastic washer over the 4 screws.
3. Screw the white plastic spacer onto the 4 screws. **NOTE! The holes on the white spacer are very tight so pre thread them or lightly open them up with a drill to ease installation!** (See Fig. 1)
4. Insert the assembly into the 1.2" hole in the glass from the rear.
5. Slide the second clear plastic washer over the screws.
6. Line up the Polished Nickel "Donut" and install each of the 4 screws a few threads.
7. Tighten all 4 screws to complete installation. **NOTE! Try to line up the keyway as vertical as possible when completing installation.**

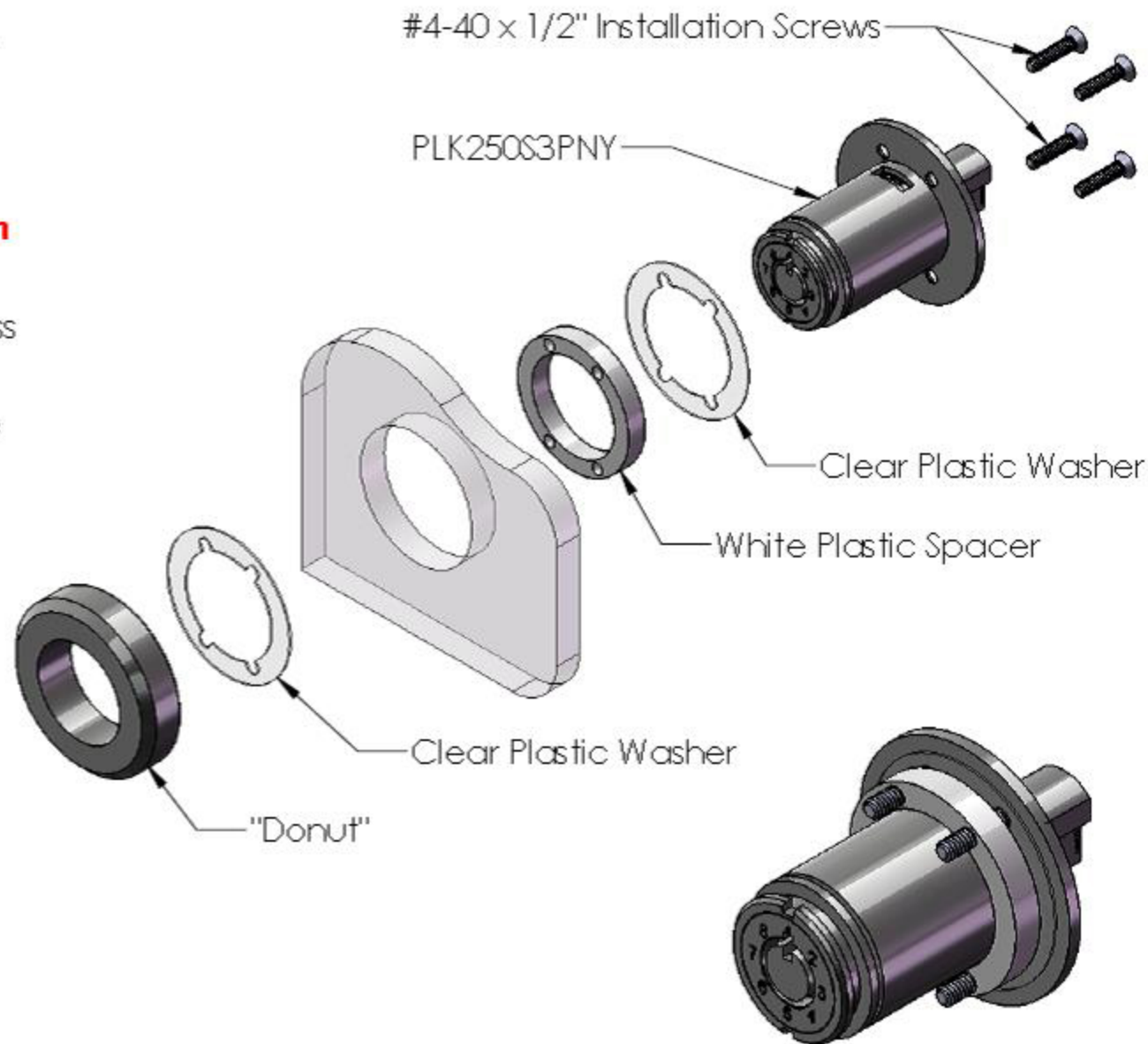


Figure 1: Step 1

Kenstan Lock Company

PROPRIETARY AND CONFIDENTIAL
 THE INFORMATION CONTAINED IN THIS DRAWING IS THE SOLE PROPERTY OF KENSTAN LOCK CO. ANY
 REPRODUCTION IN PART OR AS A WHOLE WITHOUT THE WRITTEN PERMISSION OF KENSTAN LOCK CO. IS PROHIBITED.

MATERIAL

FINISH

DO NOT SCALE DRAWING

| NAME | DATE |
|-----------------------------|------------|
| A.M.A. | 07/26/2103 |
| UNLESS OTHERWISE SPECIFIED: | |
| DIMENSIONS ARE IN INCHES | |
| TOLERANCES: | |
| FRACTIONAL ± 1/64 | |
| ANGULAR: ± 1/2° BEND ± 0.01 | |
| TWO PLACE DECIMAL ± .01 | |
| THREE PLACE DECIMAL ± .002 | |

| | | | |
|------------|---------------|--------------|--------------|
| TITLE: | | PLK250S3PNY | |
| SIZE | DWG. NO. | REV | |
| A | Wal-Mart 0054 | A | |
| SCALE: 1:1 | WEIGHT: | Installation | SHEET 3 OF 7 |