

Core Insertion Instructions for Kenstan MEDECO Removable Core Series Locks

Kenstan MEDECO Removable Core Series Locks use a 5-pin operating key and a 4-pin “control” key.

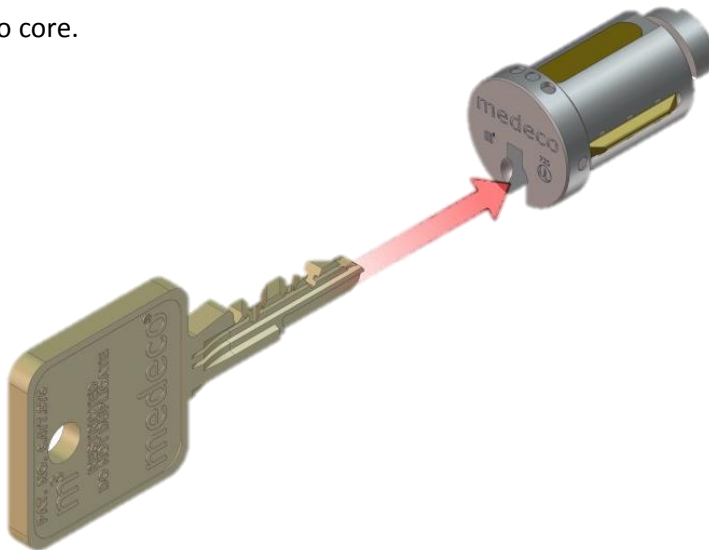
The operating key is for daily use to secure and un-lock the cylinder (pictured on the left). The key is longer and stamped at the Kenstan factory with a 4-digit keycode.

The control key is used only to remove and insert cores as required (pictured on the right). The key is shorter and stamped at the Kenstan factory with a 4-digit keycode followed by the designation “CTL”.



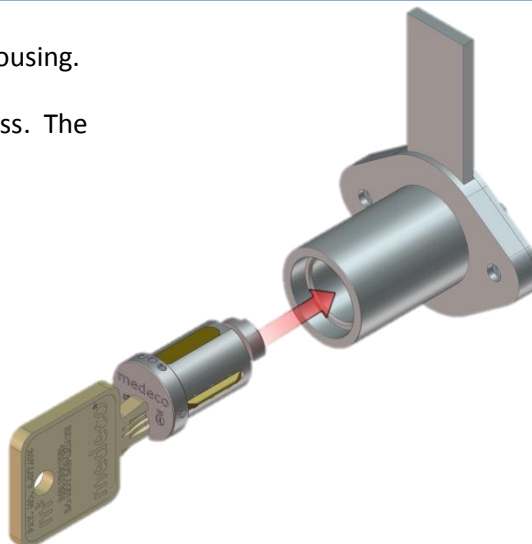
NOTE: Normal operation of the lock will not be reviewed in depth in these instructions so for our purposes we will be focusing on the 4-pin control key.

Step 1: Insert control key into core.

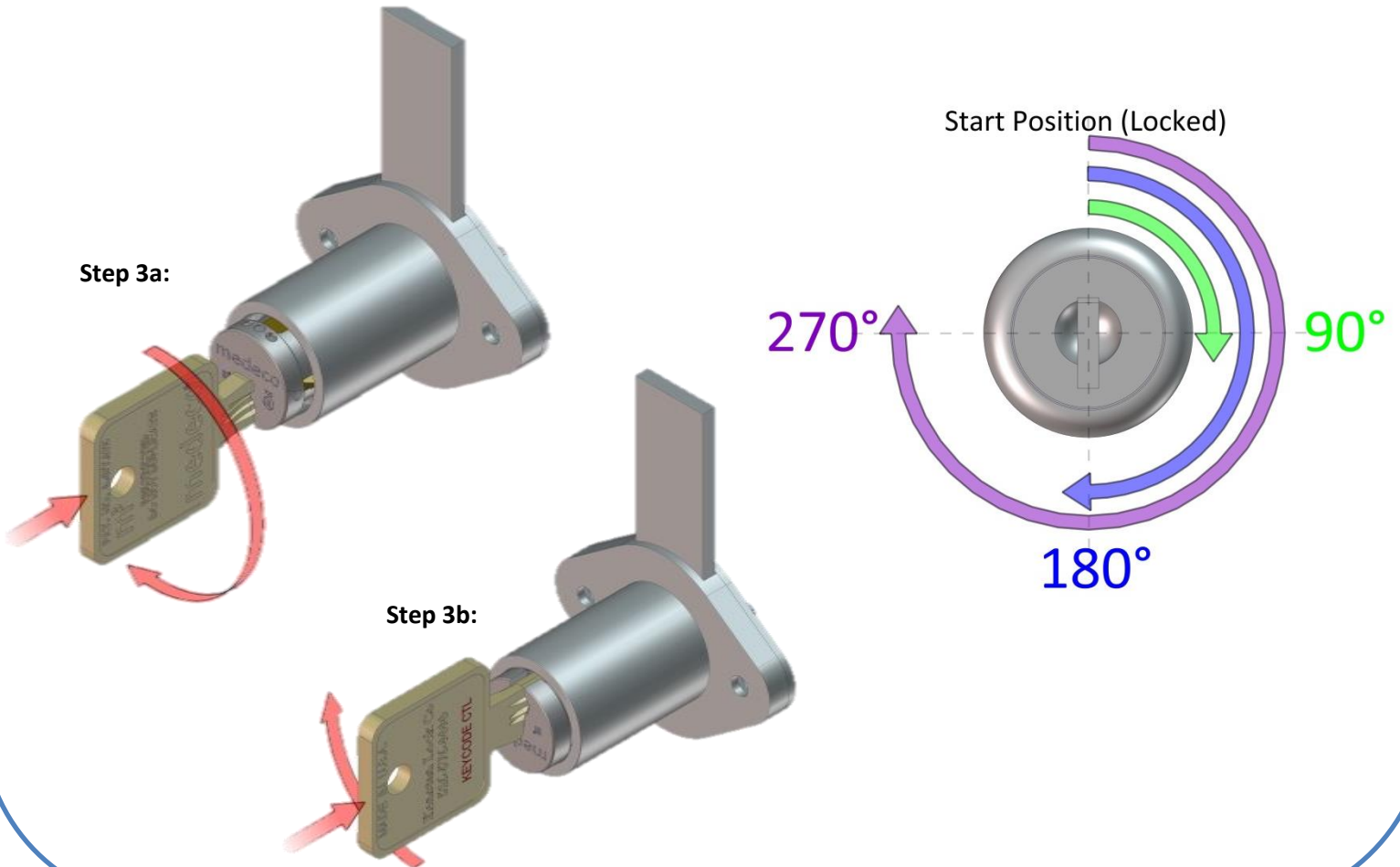


Step 2: Insert key +core assembly into the lock housing.

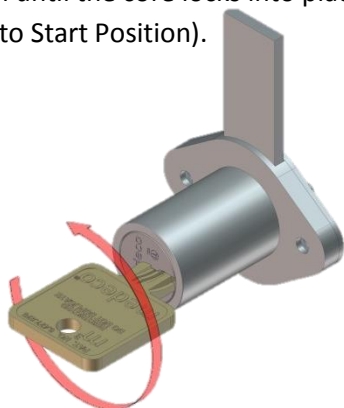
Note orientation of lock from core removal process. The bolt will be retracted.



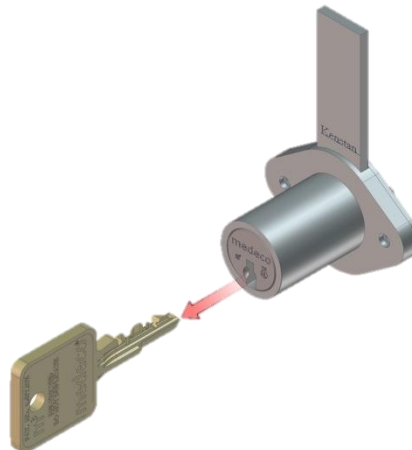
Step 3: While applying light pressure on the core, rotate the core in the direction of normal operation. i.e. If the lock functions normally rotating clock-wise then rotate the key+core assembly clockwise. For a 90° rotation lock rotate 180°, for a 180° rotation lock (pictured) rotate the key+core 270°.



Step 4: Once the core is fully seated rotate the key+core in the opposite direction until the core locks into place (Return to Start Position).



Step 5: Remove the control key.



Lock is secure and ready for normal operation.

