

Figure 5: Step 3

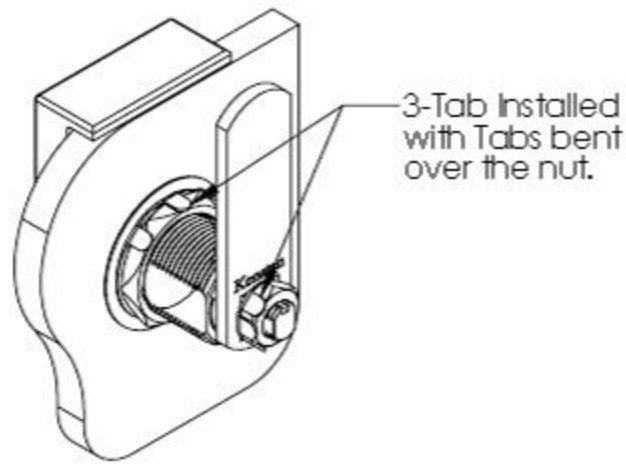


Figure 6: 3-tab washer installation

1. Determine the orientation of the L-Bracket and the face of the lock for the installation. Insert the orientation control washer into the keyed backside of the L-bracket to match orientation (locates the flats on the cam lock).
2. Insert the cam lock through the L-bracket and the orientation washer.
3. Slide one clear plastic washer over the cam lock. (See Fig. 5.)
4. Insert the assembly through the hole in the glass. For most installations the bracket will be in line with the CAM when locked.
5. Slide the second clear plastic washer over the cam lock.
6. Slide Large 3-tab washer over the cam lock.
7. Install 3/4" Hex nut and tighten. Then fold over tabs on the 3-tab washer to prevent the nut from backing out. (See Fig. 6).
8. Install the CAM adapter onto the threaded tail of the cam lock.
9. Install the Cam. If it is an offset cam match the offset direction from the original installation.
10. Slide Small 3-tab washer over the cam lock threaded tail.
11. Install cam hex nut and tighten. Then fold down the tabs on the 3-tab washer (See Fig. 6).

Kenstan Lock Company

PROPRIETARY AND CONFIDENTIAL
 THE INFORMATION CONTAINED IN THIS DRAWING IS THE SOLE PROPERTY OF KENSTAN LOCK CO. ANY
 REPRODUCTION IN PART OR AS A WHOLE WITHOUT THE WRITTEN PERMISSION OF KENSTAN LOCK CO. IS PROHIBITED.

MATERIAL
 FINISH
 DO NOT SCALE DRAWING

NAME	DATE
A.M.A.	07/26/2103
UNLESS OTHERWISE SPECIFIED:	
DIMENSIONS ARE IN INCHES	
TOLERANCES:	
FRACTIONAL ± 1/64	
ANGULAR ± 1/2° BEND ± 0.01	
TWO PLACE DECIMAL ± .01	
THREE PLACE DECIMAL ± .002	

TITLE: CLK3 Glass Installation with 2 piece L-Bracket		
SIZE	DWG. NO.	REV
A	Wal-Mart 0054 Installation	A
SCALE: 1:1	WEIGHT:	SHEET 6 OF 7